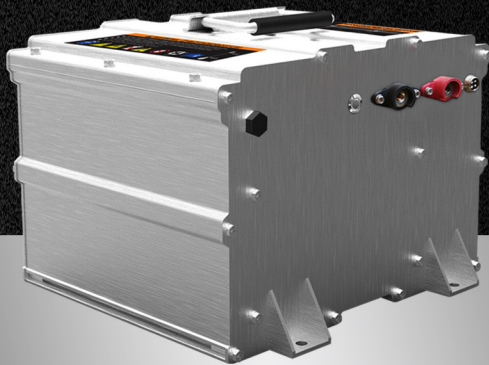




EVOLUTION LITHIUM BATTERY



**5 YEAR WARRANTY
NO MAINTENANCE
ALUMINUM PACK**

MODEL	
Product Number	L4860

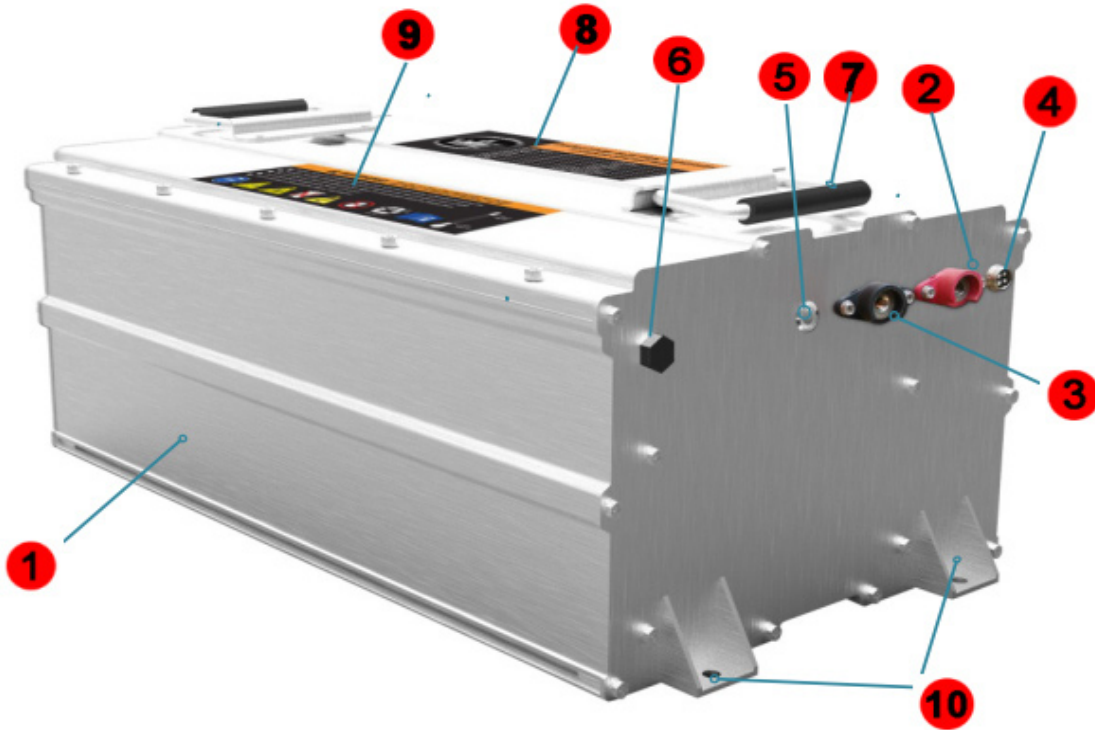
FUNCTIONAL SPECIFICATIONS	
Norminal Voltage	51.2V
Cell Chemistry	LiFePO4
Cell type	Prismatic
Cell norminal Voltage	3.2V
Ampere-hour Capacity	60Ah
Watt-hour Capacity	2.88kwh
Charge Efficiency	>98%
Impedance	<400 mΩ
Cycles @ 80% DOD	>3500

MECHANICAL SPECIFICATIONS	
Dimmensions (L" x W" x H") (inch)	12"x 13"x 9"
Weight (Kg/lbs)	26.4kg/58 lbs
Case Meterial	Aluminum Alloy
Insert Terminal	M8 X 1.25 - 20
Inpress Protection Marking	IP56

DISCHARGE SPECIFICATIONS	
Continous Discharge Current	60A
Max pulse discharge current	120A (20 sec)
Max instantaneous discharge current	165A - 5 sec
Protection Recover	Automatic (30 sec)
Low Voltage Disconnect	41.6V
Self Discharge per Month @ 25°C	<5%

CHARGER SPECIFICATIONS	
Continous Charge Current	≤40A
Max Charge Voltage	58.4V
Over-Voltage Recover	Automatic (≤54.4V)

ENVIRONMENTAL SPECIFICATIONS	
Charge Temperature	32°F to 110°F (0°C to 45°C)
Discharge Temperature	(-4°F to 140°F (-20°C to 55°C)
Storage Temperature	14°F to 95°F (-10°C to 35°C)



- 1.Lithium-ion battery W/Aluminum Casing.
- 2.B+ : Battery Positive Terminal
- 3.B - : Battery Negative Terminal
- 4.RS485: Connector Port for Lithium Battery Meter
- 5.SW: Inspection Light & Activating Button for BMS

- 6.Vent Valve for Lithium-ion Battery Pack
- 7.Lifting Handles for Lithium-ion Battery
- 8.Nameplate for Lithium-ion Battery
- 9.Battery Warning Label
- 10.Installation Base Bracket

